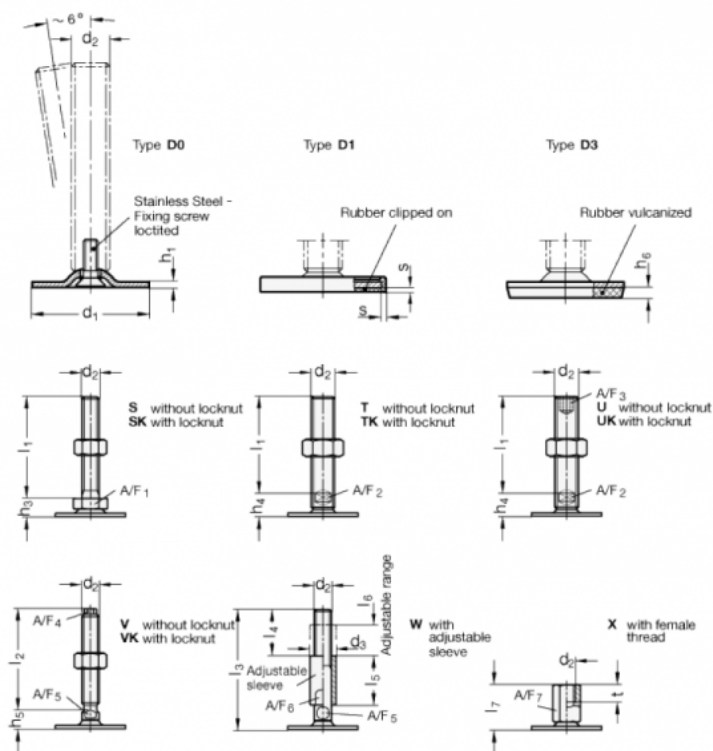


Article number: 204160M16100D3VK

Description: E+G levelling foot
GN 41-60-M16-100-D3-VK

Note: VK With nut, External hexagon at the top, Wrench flat at the bottom

Measures



A/F4 = 10

A/F5 = 12

d1 = 60

d2 = M16

h1 = 2.5

h5 = 14

h6 = 5

l2 = 100

s =